



# S55 SERIES

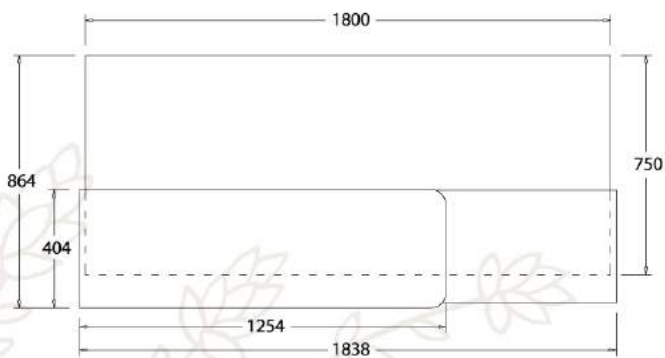


**SOPHISTICATED OFFICE FURNITURE SYSTEM**



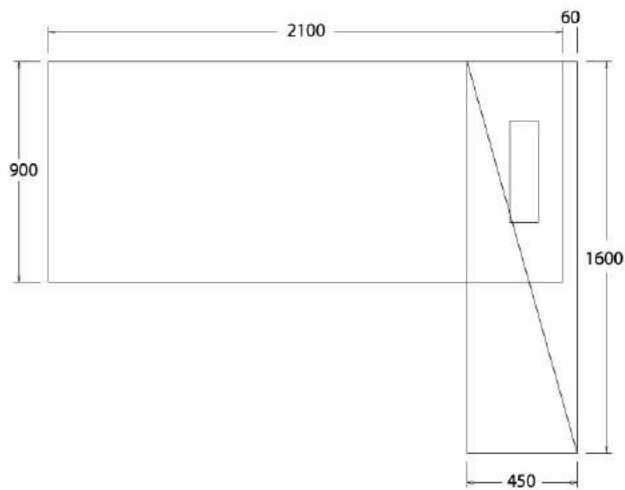
# Sleek Designs

*Managing your space more intelligently*



# Minimalistic Office

Bearing in mind that every person's needs are different, SL55-Series office furniture is created with flexibility and functionality in mind. It is ideal for your minimalistic office.





# EXECUTIVE

## Exclusive Furniture

Beautifully crafted executive office desks suitable for both the Manager or the Executive.



SMB 180A + B-YSP 1226(E)

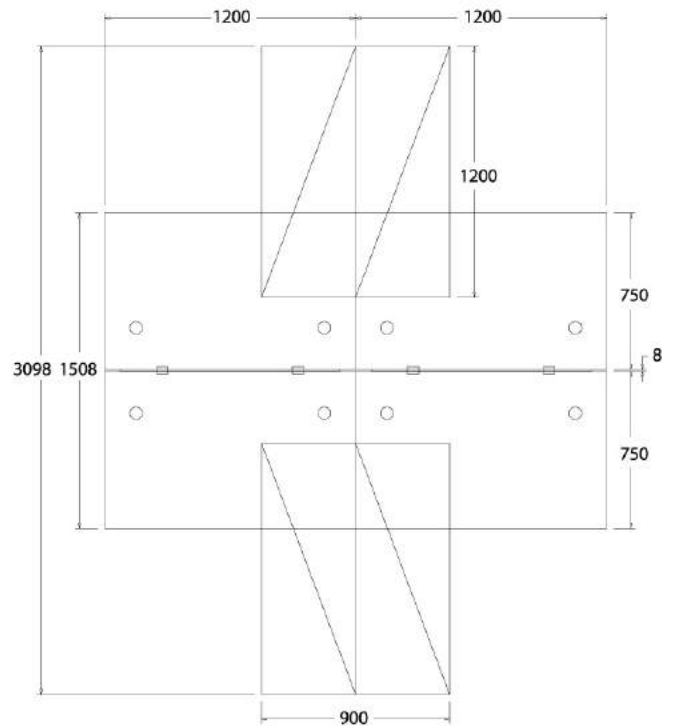


SWB 180A-SET



Own a spacious workstation without compromising on the storage.

# SPACIOUS WORKSTATION

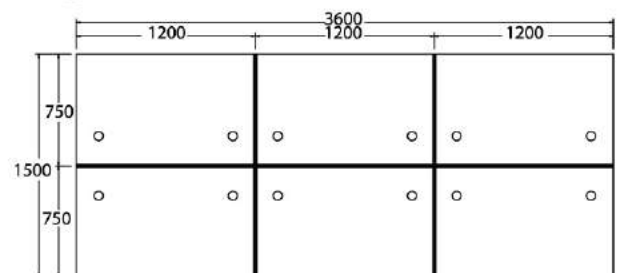


# L-Shape Workstation



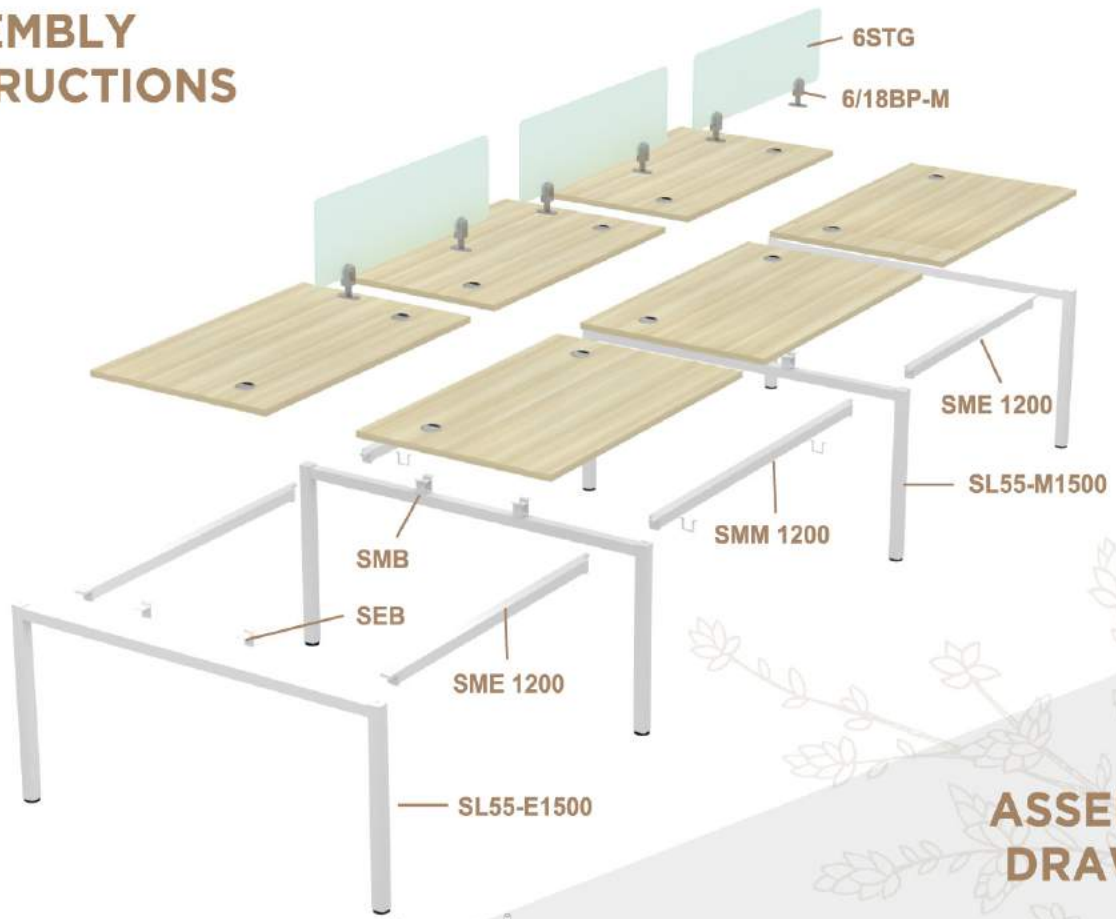
## WORKSTATION CLUSTER OF 6

Create and customize a workstation your team will love. Keep the office landscape conducive to exchange of ideas and collaboration.

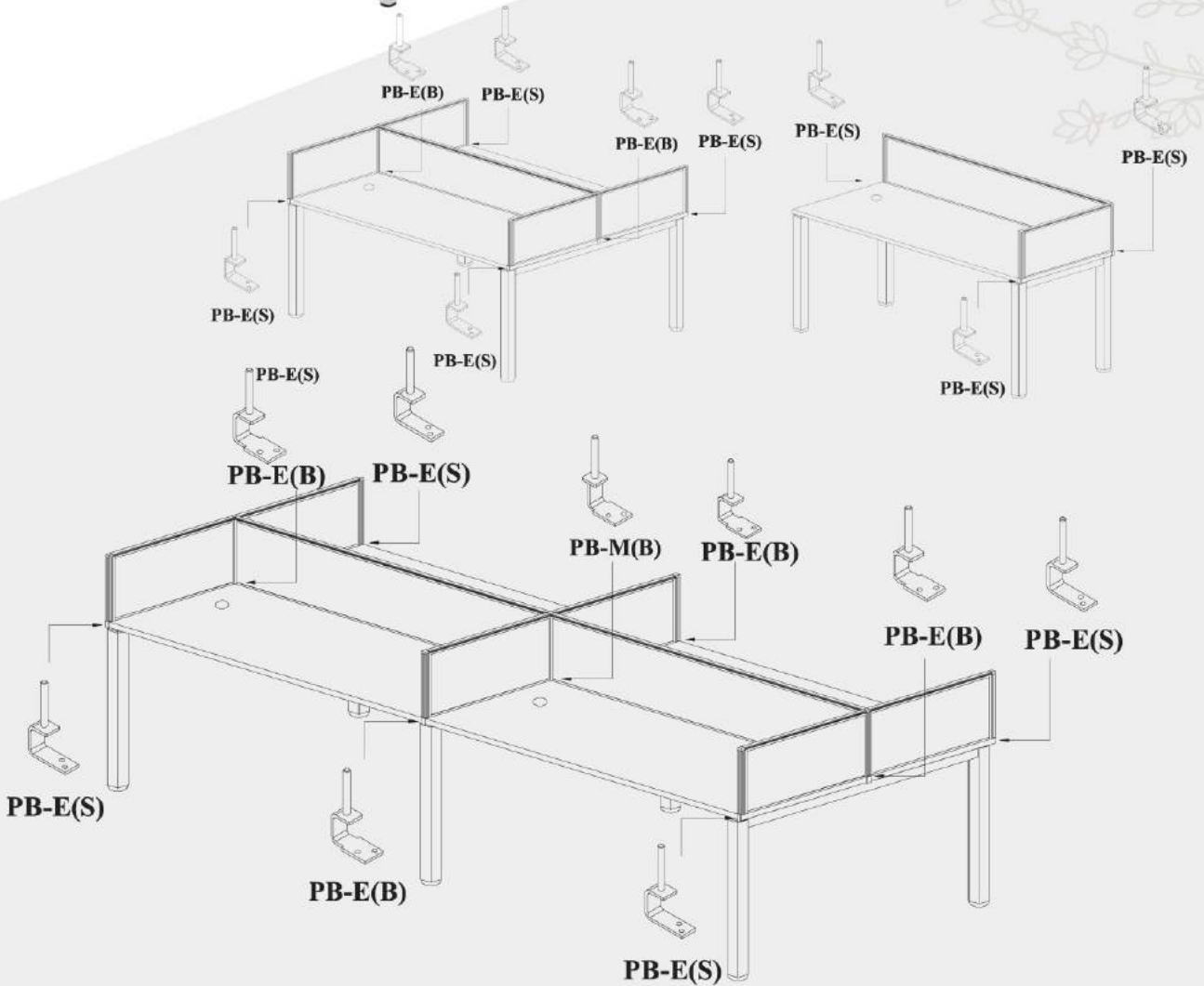


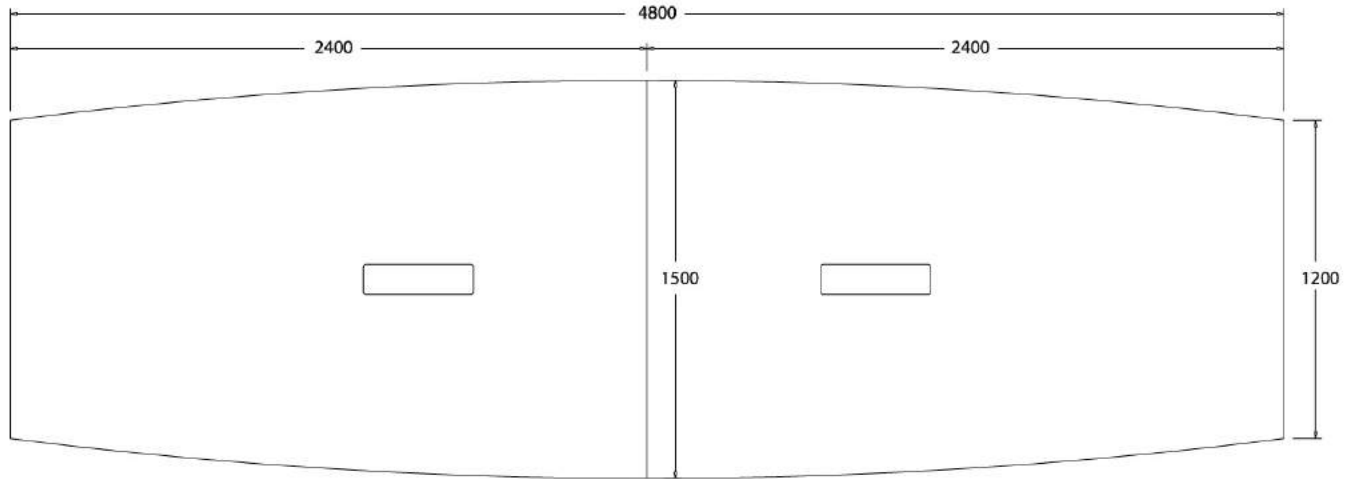


# ASSEMBLY INSTRUCTIONS



# ASSEMBLY DRAWING





SVB 18



SVB 24



# CABINET AND MOBILE PEDESTAL



# Office Table And Pedestal Specification (SL55-Series)

## EXECUTIVE TABLE AND STANDARD TABLE (WITH WOODEN FRONT PANEL)



**EXECUTIVE TABLE**  
SWB 180A 1800W x 900D x 750H



**STANDARD TABLE**  
SWT 127 1200W x 750D x 750H  
SWT 157 1500W x 750D x 750H  
SWT 187 1800W x 750D x 750H



**STANDARD TABLE(W/O TEL CAP)**  
SWT 126 1200W x 600D x 750H  
SWT 156 1500W x 600D x 750H

## WOODEN FRONT PANEL AND ACCESSORIES



**EXECUTIVE WOODEN FRONT PANEL**  
SF 1 1000W x 430H x 16THK  
SF 3 1300W x 430H x 16THK  
SF 5 1600W x 430H x 16THK

## SUPERIOR COMPACT TABLE (WITH WOODEN FRONT PANEL)



**SUPERIOR COMPACT TABLE (L)**  
SWL 552 1500W x 600 x 1500 x 600D x 750H  
SWL 652 1800W x 600 x 1500 x 600D x 750H  
SWL 1515 1500W x 700 x 1500 x 600D x 750H  
SWL 1815 1800W x 700 x 1500 x 600D x 750H



**SUPERIOR COMPACT TABLE (L)**  
SWL 552-3D 1500W x 600 x 1500 x 600D x 750H  
SWL 652-3D 1800W x 600 x 1500 x 600D x 750H  
SWL 1515-3D 1500W x 700 x 1500 x 600D x 750H  
SWL 1815-3D 1800W x 700 x 1500 x 600D x 750H



**SUPERIOR COMPACT TABLE (L)**  
SWL 552-4D 1500W x 600 x 1500 x 600D x 750H  
SWL 652-4D 1800W x 600 x 1500 x 600D x 750H  
SWL 1515-4D 1500W x 700 x 1500 x 600D x 750H  
SWL 1815-4D 1800W x 700 x 1500 x 600D x 750H



**WOODEN HANGING BRACKET**  
SHW 82W x 34D x 100H

## EXECUTIVE TABLE AND STANDARD TABLE (WITH METAL FRONT PANEL)



**EXECUTIVE TABLE**  
SMB 180A 1800W x 900D x 750H



**STANDARD TABLE**  
SMT 127 1200W x 750D x 750H  
SMT 157 1500W x 750D x 750H  
SMT 187 1800W x 750D x 750H



**STANDARD TABLE(W/O TEL CAP)**  
SMT 126 1200W x 600D x 750H  
SMT 156 1500W x 600D x 750H

## METAL FRONT PANEL AND ACCESSORIES



**METAL FRONT PANEL**  
BW 1 1000W x 430H x 20D  
BW 3 1300W x 430H x 20D  
BW 5 1600W x 430H x 20D

## SUPERIOR COMPACT TABLE (WITH METAL FRONT PANEL)



**SUPERIOR COMPACT TABLE (L)**  
SML 552 1500W x 600 x 1500 x 600D x 750H  
SML 652 1800W x 600 x 1500 x 600D x 750H  
SML 1515 1500W x 700 x 1500 x 600D x 750H  
SML 1815 1800W x 700 x 1500 x 600D x 750H



**SUPERIOR COMPACT TABLE (L)**  
SML 552-3D 1500W x 600 x 1500 x 600D x 750H  
SML 652-3D 1800W x 600 x 1500 x 600D x 750H  
SML 1515-3D 1500W x 700 x 1500 x 600D x 750H  
SML 1815-3D 1800W x 700 x 1500 x 600D x 750H



**SUPERIOR COMPACT TABLE (L)**  
SML 552-4D 1500W x 600 x 1500 x 600D x 750H  
SML 652-4D 1800W x 600 x 1500 x 600D x 750H  
SML 1515-4D 1500W x 700 x 1500 x 600D x 750H  
SML 1815-4D 1800W x 700 x 1500 x 600D x 750H



**METAL HANGING BRACKET**  
SHM 82W x 34D x 465H

## PEDESTAL (BODY IN WHITE COLOUR WITH CHAMFERED EDGE)

### FIXED PEDESTAL WITHOUT TOP (HEIGHT OF 725MM)



**FIXED PEDESTAL 2D1F (W/O TOP)**  
B-YHP 3(E) 396W x 446D x 725H



**FIXED PEDESTAL 4D (W/O TOP)**  
B-YHP 4(E) 396W x 446D x 725H

### MOBILE PEDESTAL (HEIGHT OF 620MM)



**MOBILE PEDESTAL 2D1F**  
B-YMP 3(E) 400W x 480D x 620H



**MOBILE PEDESTAL 4D**  
B-YMP 4(E) 400W x 480D x 620H

### FIXED PEDESTAL WITHOUT TOP AND BASE (HEIGHT OF 630MM)



**FIXED PEDESTAL 2D1F (W/O TOP AND BASE)**  
B-YP 3(E) 396W x 446D x 630H



**FIXED PEDESTAL 4D (W/O TOP AND BASE)**  
B-YP 4(E) 396W x 446D x 630H

### BASE



**BASE**  
YB 400 380W x 350D x 95H

## POWER TOWER



**POWER TOWER**  
YPT 725 240W x 248D x 725H (WHITE COLOUR ONLY)

# Side Cabinet For Table And Reception Counter Specification (SL55-Series)

## SIDE CABINET HEIGHT OF 600MM (BODY IN WHITE COLOUR WITH CHAMFERED EDGE)

FOR STANDARD TABLE



**OPEN SHELF + SWINGING DOOR(L)+ FIXED PEDESTAL 1D1F**  
B-YLP 1226(E)  
1200W x 450D x 600H



**OPEN SHELF + SWINGING DOOR(L) + FIXED PEDESTAL 3D**  
B-YLP 1236(E)  
1200W x 450D x 600H

SIDE CABINET 1200W x 450D x 600H



**OPEN SHELF + SLIDING DOOR**  
B-YOS 1206  
1200W x 450D x 600H



**SLIDING DOOR + FIXED PEDESTAL 1D1F**  
B-YSP 1226(E)  
1200W x 450D x 600H



**SLIDING DOOR + FIXED PEDESTAL 3D**  
B-YSP 1236(E)  
1200W x 450D x 600H



**OPEN SHELF + SWINGING DOOR(R) + FIXED PEDESTAL 1D1F**  
B-YRP 1226(E)  
1200W x 450D x 600H



**OPEN SHELF + SWINGING DOOR(R)+ FIXED PEDESTAL 3D**  
B-YRP 1236(E)  
1200W x 450D x 600H

FOR WORKSTATION CLUSTER OF 2



**STANDARD TABLE (WITH WOODEN FRONT PANEL)**  
SWT 127-2 2400W x 750D x 750H  
SWT 157-2 3000W x 750D x 750H  
SWT 187-2 3600W x 750D x 750H



**STANDARD TABLE (WITH METAL FRONT PANEL)**  
SMT 127-2 2400W x 750D x 750H  
SMT 157-2 3000W x 750D x 750H  
SMT 187-2 3600W x 750D x 750H

FOR WORKSTATION CLUSTER OF 4



**STANDARD TABLE (W/O FRONT PANEL)**  
ST 127-4 2400W x 1500D x 750H  
ST 157-4 3000W x 1500D x 750H  
ST 187-4 3600W x 1500D x 750H

SIDE CABINET 1200W x 900D x 600H



**OPEN SHELF + SLIDING DOOR**  
B-YOS 1206-2  
1200W x 900D x 600H



**SLIDING DOOR + FIXED PEDESTAL 1D1F**  
B-YSP 1226-2(E)  
1200W x 900D x 600H



**SLIDING DOOR + FIXED PEDESTAL 3D**  
B-YSP 1236-2(E)  
1200W x 900D x 600H



**OPEN SHELF + SWINGING DOOR + FIXED PEDESTAL 1D1F**  
B-YDP 1226-2(E)  
1200W x 900D x 600H



**OPEN SHELF + SWINGING DOOR + FIXED PEDESTAL 3D**  
B-YDP 1236-2(E)  
1200W x 900D x 600H

## DIRECTOR TABLE SET (WITH SL55 METAL LEG)

(WITH WOODEN FRONT PANEL)



**DIRECTOR TABLE SET (Included YBV 20 1 unit)**  
B-SWE 2162(E)  
2160W x 900 x 1600 x 450 x 750H



**DIRECTOR TABLE SET (Included YBV 20 1 unit)**  
B-SWE 2163(E)  
2160W x 900 x 1600 x 450 x 750H

SIDE CABINET 1600W x 450D x 600H



**OPEN SHELF + SLIDING DOOR + FIXED PEDESTAL 1D1F**  
B-YOSP 1626(E)  
1600W x 450D x 600H



**OPEN SHELF + SLIDING DOOR + FIXED PEDESTAL 3D**  
B-YOSP 1636(E)  
1600W x 450D x 600H

## EXECUTIVE RECEPTION COUNTER



**EXECUTIVE RECEPTION COUNTER (L)**  
B-SCT 1500 1538W x 404D x 1050H



**EXECUTIVE RECEPTION COUNTER (L)**  
B-SCT 1800 1838W x 404D x 1050H



**EXECUTIVE RECEPTION COUNTER (L)**  
B-SCT BACK VIEW



# Side Cabinet For Office Table Specification (SL55-Series)

## PART OF DIRECTOR SET AND WORKSTATION

### PART OF COMBINATION



**DIRECTOR SURFACE PANEL**  
SDT 2100 2100W x 900D x 25THK  
(Flipper Box YBV 20 NOT included)



**DIRECTOR WOODEN FRONT PANEL**  
SEF 5 1600W x 430D x 16THK



**EXECUTIVE WOODEN FRONT PANEL**  
SF 1 1000W x 430H x 16THK  
SF 3 1300W x 430H x 16THK  
SF 5 1600W x 430H x 16THK



**WOODEN HANGING BARCKET**  
SHW 82W x 34D x 100H



**METAL FRONT PANEL**  
BW 1 1000W x 430H x 20D  
BW 3 1300W x 430H x 20D  
BW 5 1600W x 430H x 20D



**METAL HANGING BRACKET**  
SHM 82W x 34D x 465H

## CABINET SURFACE PANEL AND BASE



**CABINET SURFACE PANEL C/W CHROME CAP**  
PSC 800 800W x 450D x 25THK  
PSC 1200 1200W x 450D x 25THK  
PSC 1600 1600W x 450D x 25THK



**CABINET SURFACE PANEL C/W CHROME CAP**  
PDC 800 800W x 900D x 25THK  
PDC 1200 1200W x 900D x 25THK  
PDC 1600 1600W x 900D x 25THK



**BASE**  
YB 800 780W x 350D x 95H



**BASE**  
YB 1200 1180W x 350D x 95H



**BASE**  
YB 1600 1580W x 350D x 95H

## CABINET, PEDESTAL AND DOOR



**SWINGING WOODEN DOOR (L)**  
YDL 448(E)  
390W x 463H x 16THK



**SWINGING WOODEN DOOR (R)**  
YDR 448(E)  
390W x 463H x 16THK



**OPEN SHELF SIDE CABINET (W/O TOP AND BASE)**  
YO 448  
396W x 430D x 480H



**SLIDING DOOR SIDE CABINET (W/O TOP AND BASE)**  
B-YS 848  
796W x 430D x 480H



**FIXED PEDESTAL 1D1F (W/O TOP AND BASE)**  
B-YP 26(E)  
396W x 446D x 480H



**FIXED PEDESTAL 3D (W/O TOP AND BASE)**  
B-YP 36(E)  
396W x 446D x 480H

## COLOUR OPTION



**BORAS ASH**

**WITHOUT HANDLE  
CHAMFERED  
EDGE  
(FOR CABINET)**



**WITHOUT HANDLE  
CHAMFERED  
EDGE  
(FOR PEDESTAL)**



# Conference Table And SL55 Metal Leg Specification (SL55-Series)

## CONFERENCE TABLE



**BOAT-SHAPE CONFERENCE TABLE (INCLUDED YBV 20 1 Unit)**  
SBB 18 1800W x 900/750D x 750H



**BOAT-SHAPE CONFERENCE TABLE (INCLUDED YBV 20 1 Unit)**  
SBB 24 2400W x 1200/900D x 750H  
(clw 2 units SL 55-725)



**BOAT-SHAPE CONFERENCE TABLE (INCLUDED YBV 20 2 Units)**  
SBB 30 3000W x 1200/900D x 750H  
SBB 36 3600W x 1500/1200D x 750H



**BOAT-SHAPE CONFERENCE TABLE (INCLUDED YBV 20 2 Units)**  
SRR 48 4800W x 1500/1200D x 750H



**RECTANGULAR CONFERENCE TABLE (INCLUDED YBV 20 1 Unit)**  
SVB 18 1800W x 900D x 750H



**RECTANGULAR CONFERENCE TABLE (INCLUDED YBV 20 1 Unit)**  
SVB 24 2400W x 1200D x 750H  
(clw 2 units SL 55-725)



**RECTANGULAR CONFERENCE TABLE (INCLUDED YBV 20 2 units)**  
SVB 30 3000W x 1200D x 750H  
SVB 36 3600W x 1500D x 750H



**RECTANGULAR CONFERENCE TABLE (INCLUDED YBV 20 2 units)**  
SVB 48 4800W x 1500D x 750H

## S LEG



**S LEG**  
SL 55-E600 590W x 55D x 725H  
SL 55-E700 690W x 55D x 725H  
SL 55-E750 740W x 55D x 725H  
SL 55-E900 890W x 55D x 725H



**S LEG**  
SL 55-E1200 1190W x 55D x 725H  
SL 55-E1400 1390W x 55D x 725H  
SL 55-E1500 1490W x 55D x 725H



**MIDDLE S LEG**  
SL 55-M600 590W x 55D x 725H  
SL 55-M700 690W x 55D x 725H  
SL 55-M750 740W x 55D x 725H  
SL 55-M900 890W x 55D x 725H



**MIDDLE S LEG**  
SL 55-M1200 1190W x 55D x 725H  
SL 55-M1400 1390W x 55D x 725H  
SL 55-M1500 1490W x 55D x 725H

## S TUBE + LEG



**S TUBE + LEG(L)**  
SL 55-E600-7 590W x 55D x 125/725H  
SL 55-E700-7 690W x 55D x 125/725H  
SL 55-E750-7 740W x 55D x 125/725H  
SL 55-E900-7 890W x 55D x 125/725H



**S TUBE + LEG(L)**  
SL 55-E1200-7 1190W x 55D x 125/725H  
SL 55-E1400-7 1390W x 55D x 125/725H  
SL 55-E1500-7 1490W x 55D x 125/725H



**MIDDLE S TUBE + LEG**  
SL 55-M600-7 590W x 55D x 125/725H  
SL 55-M700-7 690W x 55D x 125/725H  
SL 55-M750-7 740W x 55D x 125/725H  
SL 55-M900-7 890W x 55D x 125/725H



**MIDDLE S TUBE + LEG**  
SL 55-M1200-7 1190W x 55D x 125/725H  
SL 55-M1400-7 1390W x 55D x 125/725H  
SL 55-M1500-7 1490W x 55D x 125/725H

## S TUBE



**S TUBE**  
SL 55-E600-125 590W x 55D x 125H  
SL 55-E700-125 690W x 55D x 125H  
SL 55-E750-125 740W x 55D x 125H  
SL 55-E900-125 890W x 55D x 125H



**S TUBE**  
SL 55-E1200-125 1190W x 55D x 125H  
SL 55-E1400-125 1390W x 55D x 125H  
SL 55-E1500-125 1490W x 55D x 125H



**MIDDLE S TUBE**  
SL 55-M600-125 590W x 55D x 125H  
SL 55-M700-125 690W x 55D x 125H  
SL 55-M750-125 740W x 55D x 125H  
SL 55-M900-125 890W x 55D x 125H



**MIDDLE S TUBE**  
SL 55-M1200-125 1190W x 55D x 125H  
SL 55-M1400-125 1390W x 55D x 125H  
SL 55-M1500-125 1490W x 55D x 125H

## CROSS BAR



**END AND END CROSS BAR**  
SEE 1200 1160W x 41D x 14/54H  
SEE 1500 1460W x 41D x 14/54H  
SEE 1800 1760W x 41D x 14/54H  
SEE 2400 2360W x 41D x 14/54H



**MIDDLE AND END CROSS BAR**  
SME 1200 1200W x 41D x 14/54H  
SME 1500 1500W x 41D x 14/54H  
SME 1800 1800W x 41D x 14/54H



**MIDDLE AND MIDDLE CROSS BAR**  
SMM 1200 1240W x 41D x 14/54H  
SMM 1500 1540W x 41D x 14/54H  
SMM 1800 1840W x 41D x 14/54H



**SIDE RETURN CROSS BAR**  
SR 200 251W x 41D x 14/54H

## STAND LEG AND ACCESSORIES



**STAND S LEG**  
SL 55-725 120W x 120D x 725H



**END BRACKET**  
SEB 68W x 40D x 55H



**MIDDLE BRACKET**  
SMB 68W x 40D x 55H

# Storage Cabinet Specification (SL55-Series)

## LOW CABINET

HEIGHT OF 910MM



OPEN SHELF  
LOW CABINET

B-YO 9 800W X 400D x 910H



SWINGING DOOR  
LOW CABINET

B-YD 9(E) 800W x 400D x 910H



PIGEON HOLE  
LOW CABINET

B-YP 9 800W x 400D x 910H



SLIDING DOOR  
LOW CABINET

B-YS 9 800W x 400D x 910H



SWINGING GLASS DOOR  
LOW CABINET

B-YG 9 800W x 400D x 910H

## MEDIUM CABINET

HEIGHT OF 1310MM



OPEN SHELF MEDIUM CABINET

B-YO 13 800W x 400D x 1310H



SWINGING DOOR MEDIUM CABINET

B-YD 13(E) 800W x 400D x 1310H



SEMI SWINGING DOOR MEDIUM CABINET

B-YOD 13(E) 800W x 400D x 1310H



SLIDING DOOR SIDE CABINET

B-YS 303 900W x 450D x 700H

## SIDE CABINET

HEIGHT OF 1710MM



OPEN SHELF MEDIUM CABINET

B-YO 17 800W x 400D x 1710H



SWINGING DOOR MEDIUM CABINET

B-YD 17(E) 800W x 400D x 1710H



SEMI SWINGING DOOR MEDIUM CABINET

B-YOD 17(E) 800W x 400D x 1710H

## HIGH CABINET

HEIGHT OF 2110MM



OPEN SHELF  
HIGH CABINET

B-YO 21 800W x 400D x 2110H



SWINGING DOOR HIGH  
CABINET

B-YD 21(E) 800W x 400D x 2110H



SEMI SWINGING DOOR  
HIGH CABINET

B-YOD 21(E) 800W x 400D x 2110H



SWINGING DOOR HIGH CABINET

B-YTD 21(E) 800W x 400D x 2110H



SWINGING GLASS DOOR  
HIGH CABINET

B-YGD 21(E) 800W X 400D x 2110H

## SWINGING WOODEN AND GLASS DOOR



SWINGING WOODEN DOOR

YFD 9(E)

788W x 780H x 16THK  
(for B-YD 9(E) only)



SWINGING WOODEN DOOR

YFD 13(E)

788W x 1180H x 16THK  
(for B-YD 13(E) only)



SWINGING WOODEN DOOR

YFD 17(E)

788W x 1598H x 16THK  
(for B-YD 17(E) only)



SWINGING GLASS DOOR WITH GLASS LOCK

YFG 9

754W x 774H x 5THK  
(for B-YG 9)



SWINGING  
WOODEN DOOR (LOWER)

YLD 9(E)

788W x 780H x 16THK  
(for B-YOD 13(E), B-YOD 17(E),  
B-YOD 21(E), B-YTD 21(E),  
B-YGD 21(E))



SWINGING  
WOODEN DOOR (UPPER)

YUD 21(E)

788W x 1180H x 16THK  
(for B-YTD 21(E) only)



SWINGING  
WOODEN DOOR

YFD 21(E)

788W x 1998H x 16THK  
(for B-YD 21(E) only)



SWINGING GLASS DOOR  
WITH GLASS LOCK

YUG 21

754W x 1188H x 5THK  
(for B-YGD 21(E) )