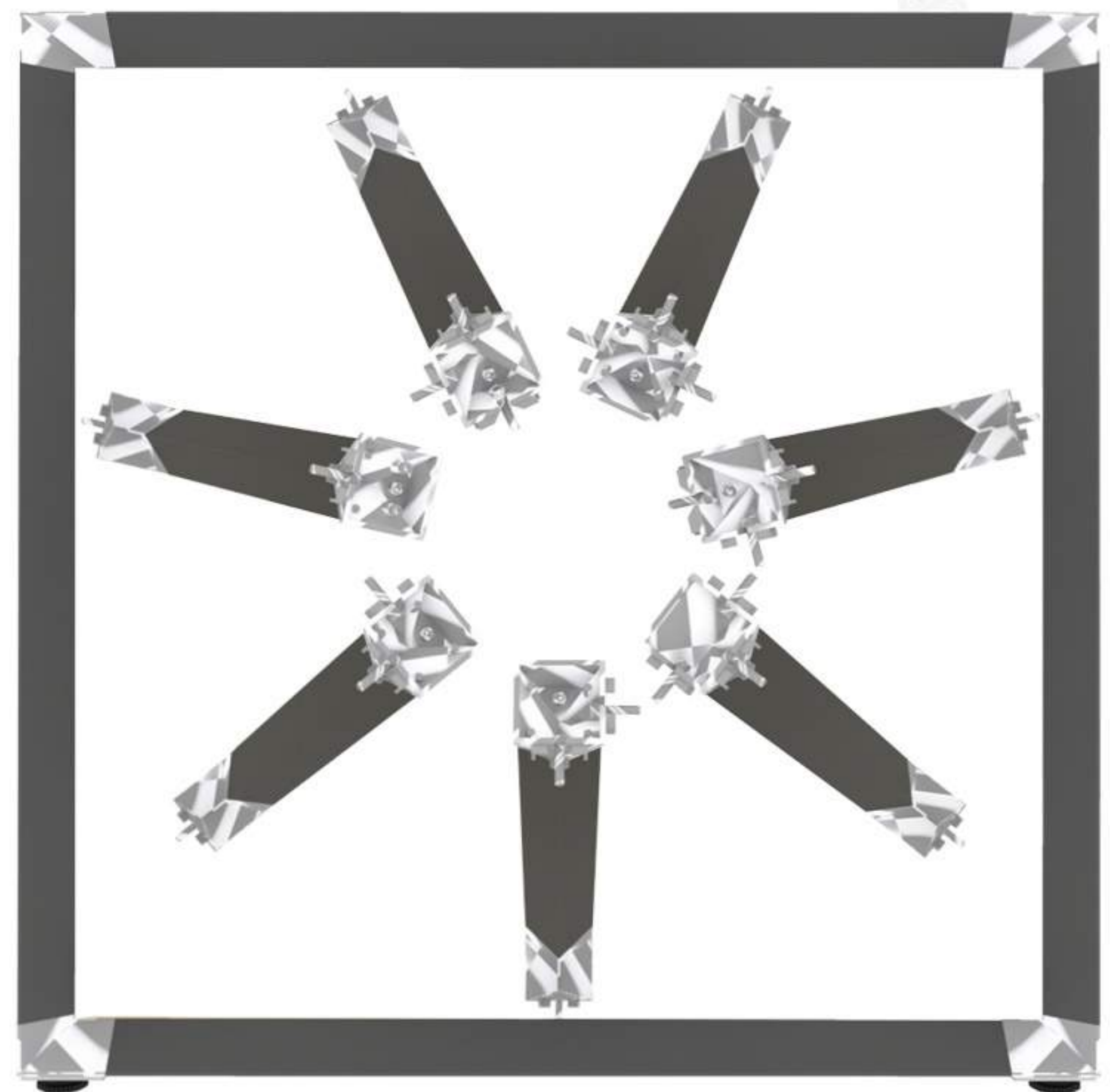




# SERIES



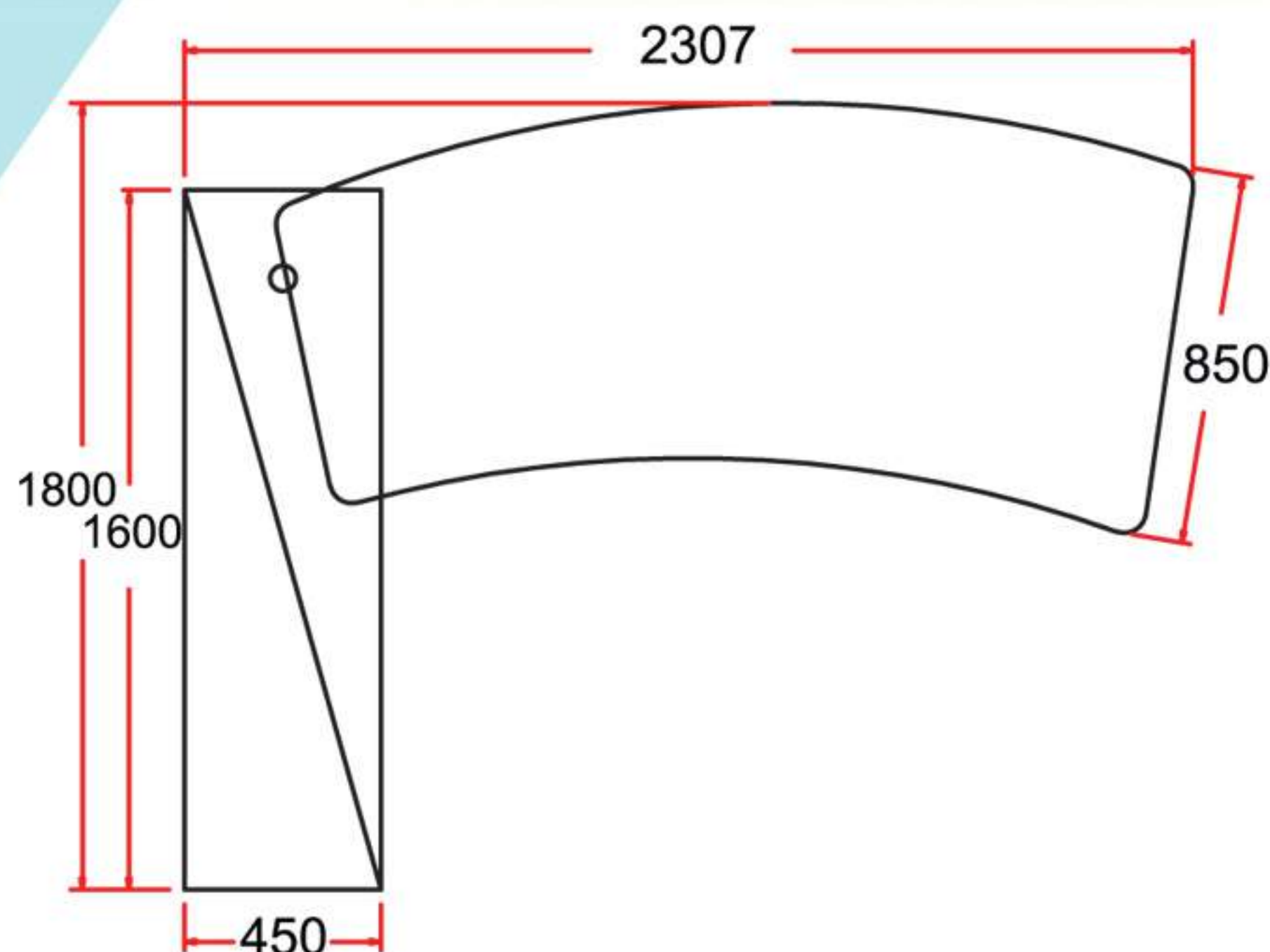


# MODERN DIRECTOR SET



Q-OXL 2462-SET

“Success” will generally mean a long-term increase in value but fundamentally it is up to each director to decide. O series modern director set symbolize the nobility and generosity of work space in contemporary style.



Q-OXL 2462



# EXECUTIVE TABLE



**OWB 180A-SET**

VS presents executive office tables of elegant look and best quality. The professional office furniture being right choice that will revitalize your work environment.



**OMB 180A-SET**



# SUPERIOR COMPACT TABLE



With our 0 leg L shape table, you may ease your mind when you want to piece together a long length, sprawling desk. This will work beautifully, instant expansion.

**OML 1815-3D (L)**



**OML 1815-4D (L)**



**OML 1815 (L)**



# WORKSTATION ⇒ CLUSTER OF 2

By dividing a space provide both storage and partitioning – two birds with one stone, keeps the feeling of open space and unified offices. It leads to visible spot, additional content and dynamics in the vast space.



60-OL-2





Conference table O leg design makes every meeting associates to a distinct discussion. Besides well thought yet simple of this conference model, you'll love the dignified design when you and your team are gathered for a vital and supreme task.

# CONFERENCE TABLE



**OVB 30-SET**



## OFFICE TABLE SPECIFICATION

### EXECUTIVE TABLE AND STANDARD TABLE (WITH WOODEN FRONT PANEL)



**EXECUTIVE TABLE**  
**OWB 180A**  
 1800W x 900D x 750H



**STANDARD TABLE**  
**OWT 127** 1200W x 750D x 750H  
**OWT 157** 1500W x 750D x 750H  
**OWT 187** 1800W x 750D x 750H



**STANDARD TABLE (W/O TEL CAP)**  
**OWT 126** 1200W x 600D x 750H  
**OWT 156** 1500W x 600D x 750H

### WOODEN FRONT PANEL



**WOODEN FRONT PANEL**  
**OF 1** 1000W x 430H x 16THK  
**OF 3** 1300W x 430H x 16THK  
**OF 5** 1600W x 430H x 16THK

### SUPERIOR COMPACT TABLE (WITH WOODEN FRONT PANEL)



**SUPERIOR COMPACT TABLE (L)**  
**OWL 552** 1500W x 600 x 1500 x 600D x 750H  
**OWL 652** 1800W x 600 x 1500 x 600D x 750H  
**OWL 1515** 1500W x 700 x 1500 x 600D x 750H  
**OWL 1815** 1800W x 700 x 1500 x 600D x 750H



**SUPERIOR COMPACT TABLE (L)**  
**OWL 552-3D** 1500W x 600 x 1500 x 600D x 750H  
**OWL 652-3D** 1800W x 600 x 1500 x 600D x 750H  
**OWL 1515-3D** 1500W x 700 x 1500 x 600D x 750H  
**OWL 1815-3D** 1800W x 700 x 1500 x 600D x 750H



**SUPERIOR COMPACT TABLE (L)**  
**OWL 552-4D** 1500W x 600 x 1500 x 600D x 750H  
**OWL 652-4D** 1800W x 600 x 1500 x 600D x 750H  
**OWL 1515-4D** 1500W x 700 x 1500 x 600D x 750H  
**OWL 1815-4D** 1800W x 700 x 1500 x 600D x 750H

### ACCESSORIES



**WOODEN HANGING BRACKET**  
**MP-B**  
 100W x 50D x 122H

### EXECUTIVE TABLE AND STANDARD TABLE (WITH METAL FRONT PANEL)



**EXECUTIVE TABLE**  
**OMB 180A**  
 1800W x 900D x 750H

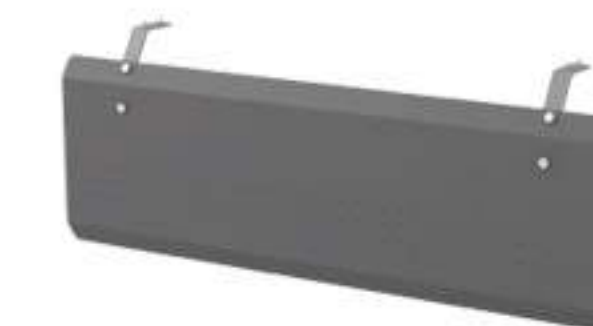


**STANDARD TABLE**  
**OMT 127** 1200W x 750D x 750H  
**OMT 157** 1500W x 750D x 750H  
**OMT 187** 1800W x 750D x 750H



**STANDARD TABLE (W/O TEL CAP)**  
**OMT 126** 1200W x 600D x 750H  
**OMT 156** 1500W x 600D x 750H

### METAL FRONT PANEL



**METAL FRONT PANEL**  
**MP 1300** 1000W x 380H x 26D  
**MP 1500** 1200W x 380H x 26D  
**MP 1800** 1500W x 380H x 26D

### SUPERIOR COMPACT TABLE (WITH METAL FRONT PANEL)



**SUPERIOR COMPACT TABLE (L)**  
**OML 552** 1500W x 600 x 1500 x 600D x 750H  
**OML 652** 1800W x 600 x 1500 x 600D x 750H  
**OML 1515** 1500W x 700 x 1500 x 600D x 750H  
**OML 1815** 1800W x 700 x 1500 x 600D x 750H



**SUPERIOR COMPACT TABLE (L)**  
**OML 552-3D** 1500W x 600 x 1500 x 600D x 750H  
**OML 652-3D** 1800W x 600 x 1500 x 600D x 750H  
**OML 1515-3D** 1500W x 700 x 1500 x 600D x 750H  
**OML 1815-3D** 1800W x 700 x 1500 x 600D x 750H



**SUPERIOR COMPACT TABLE (L)**  
**OML 552-4D** 1500W x 600 x 1500 x 600D x 750H  
**OML 652-4D** 1800W x 600 x 1500 x 600D x 750H  
**OML 1515-4D** 1500W x 700 x 1500 x 600D x 750H  
**OML 1815-4D** 1800W x 700 x 1500 x 600D x 750H



### BOAT SHAPE CONFERENCE TABLE



**BOAT-SHAPE CONFERENCE TABLE**  
(Included YBV 20 1 unit)  
**OBB 18** 1800W x 900/750D x 750H



**BOAT-SHAPE CONFERENCE TABLE**  
(Included YBV 20 1 Unit)  
**OBB 24** 2400W x 1200/900D x 750H



**BOAT-SHAPE CONFERENCE TABLE**  
(Included YBV 20 2 units)  
**OBB 30** 3000W x 1200/900D x 750H  
**OBB 36** 3600W x 1500/1200D x 750H



**BOAT-SHAPE CONFERENCE TABLE**  
(Included YBV 20 2 units)  
**OBB 48** 4800W x 1500/1200D x 750H

### RECTANGULAR CONFERENCE TABLE



**RECTANGULAR CONFERENCE TABLE**  
(Included YBV 20 1 unit)  
**OVB 18** 1800W x 900D x 750H



**RECTANGULAR CONFERENCE TABLE**  
(Included YBV 20 1 unit)  
**OVB 24** 2400W x 1200D x 750H



**RECTANGULAR CONFERENCE TABLE**  
(Included YBV 20 2 units)  
**OVB 30** 3000W x 1200D x 750H  
**OVB 36** 3600W x 1500D x 750H



**RECTANGULAR CONFERENCE TABLE**  
(Included YBV 20 2 units)  
**OVB 48** 4800W x 1500D x 750H

### LOW CABINET

HEIGHT OF 750MM



**OPEN SHELF LOW CABINET**  
**Q-00 775** 750W x 450D x 750H  
**Q-00 975** 900W x 450D x 750H



**SWINGING DOOR LOW CABINET**  
**Q-0D 775** 750W x 450D x 750H  
**Q-0D 975** 900W x 450D x 750H



**SLIDING DOOR LOW CABINET**  
**Q-0S 775** 750W x 450D x 750H  
**Q-0S 975** 900W x 450D x 750H



**HANGING CABINET**  
**Q-0C 750** 725W x 350D x 425H  
**Q-0C 900** 875W x 350D x 425H



**RACK PANEL**  
**OP 750** 725W x 350D x 25THK  
**OP 900** 875W x 350D x 25THK

### MEDIUM CABINET

HEIGHT OF 1200MM



**OPEN SHELF MEDIUM CABINET**  
**Q-00 712** 750W x 450D x 1200H  
**Q-00 912** 900W x 450D x 1200H



**SWINGING DOOR MEDIUM CABINET**  
**Q-0D 712** 750W x 450D x 1200H  
**Q-0D 912** 900W x 450D x 1200H

HEIGHT OF 1800MM



**OPEN SHELF MEDIUM CABINET**  
**Q-00 718** 750W x 450D x 1800H  
**Q-00 918** 900W x 450D x 1800H



**SWINGING DOOR MEDIUM CABINET**  
**Q-0D 718** 750W x 450D x 1800H  
**Q-0D 918** 900W x 450D x 1800H

### HIGH CABINET

HEIGHT OF 2000MM



**SWINGING GLASS DOOR HIGH CABINET**  
**Q-0GD 720** 750W x 450D x 2000H  
**Q-0GD 920** 900W x 450D x 2000H

### SWINGING WOODEN DOOR



**SWINGING WOODEN DOOR**  
**OFD 775(Q)** 738W x 638H x 16THK  
(for Q-OD 775 only)  
**OFD 975(Q)** 888W x 638H x 16THK  
(for Q-OD 975 only)



**SWINGING WOODEN DOOR**  
**OFD 712(Q)** 738W x 1088H x 16THK  
(for Q-OD 712 only)  
**OFD 912(Q)** 888W x 1088H x 16THK  
(for Q-OD 912 only)



**SWINGING WOODEN DOOR**  
**OFD 718(Q)** 738W x 1688H x 16THK  
(for Q-OD 718 only)  
**OFD 918(Q)** 888W x 1688H x 16THK  
(for Q-OD 918 only)

### PEDESTAL



**MOBILE PEDESTAL 1D1F**  
**Q-YM 2** 400W x 480D x 560H



**MOBILE PEDESTAL 3D**  
**Q-YM 3** 400W x 480D x 560H



**MOBILE PEDESTAL 2D1F**  
**Q-YMP 3** 400W x 480D x 620H



**MOBILE PEDESTAL 4D**  
**Q-YMP 4** 400W x 480D x 620H



**FIXED PEDESTAL 2D1F (W/O TOP)**  
**Q-YHP 3** 396W x 446D x 725H



**FIXED PEDESTAL 4D (W/O TOP)**  
**Q-YHP 4** 396W x 446D x 725H

### PART OF COMBINATION



**FIXED PEDESTAL 2D1F (W/O TOP AND BASE)**  
**Q-YP 3** 396W x 446D x 630H



**FIXED PEDESTAL 4D (W/O TOP AND BASE)**  
**Q-YP 4** 396W x 446D x 630H

### BASE



**BASE**  
**YB 400** 380W x 350D x 95H

### LEG



**O LEG**  
**LS 600** 594W x 76D x 725H  
**LS 700** 694W x 76D x 725H  
**LS 750** 744W x 76D x 725H

### ACCESSORIES



**VERTEBRAL FLOOR WIRE HOLDER**  
**VFWH**



**DIRECTOR TABLE SET (WITH O LEG)**



**DIRECTOR TABLE SET (Table Top 41THK)**  
**Q-OXL 2462**  
 2307W x 850 x 1800 x 450 x 766H



**DIRECTOR TABLE SET (Table Top 41THK)**  
**Q-OXR 2462**  
 2307W x 850 x 1800 x 450 x 766H



**DIRECTOR TABLE SET (Table Top 41THK)**  
**Q-OXL 2463**  
 2307W x 850 x 1800 x 450 x 766H



**DIRECTOR TABLE SET (Table Top 41THK)**  
**Q-OXR 2463**  
 2307W x 850 x 1800 x 450 x 766H

**SIDE CABINET 1600W x 450D x 600H**



**OPEN SHELF + SLIDING DOOR + FIXED PEDESTAL 1D1F**  
**Q-YOSP 1626**  
 1600W x 450D x 600H



**OPEN SHELF + SLIDING DOOR + FIXED PEDESTAL 3D**  
**Q-YOSP 1636**  
 1600W x 450D x 600H

**PART OF COMBINATION**

**PART OF DIRECTOR SET**



**DIRECTOR SURFACE PANEL (R)**  
**OXT 2400**  
 2100W x 850/700D x 41THK



**DIRECTOR WOODEN FRONT PANEL**  
**OXF 2400**  
 1600W x 500/400D x 16THK



**DIRECTOR O LEG**  
**L 2400**



**WOODEN HANGING BRACKET**  
**MP-B**  
 100W x 50D x 122H

**CABINET SURFACE PANEL AND BASE**



**CABINET SURFACE PANEL C/W CHROME CAP**  
**PSC 800** 800W x 450D x 25THK  
**PSC 1200** 1200W x 450D x 25THK  
**PSC 1600** 1600W x 450D x 25THK



**BASE**  
**YB 800**  
 780W x 350D x 95H



**BASE**  
**YB 1200**  
 1180W x 350D x 95H



**BASE**  
**YB 1600**  
 1580W x 350D x 95H

**CABINET AND PEDESTAL**



**SWINGING WOODEN DOOR (L)**  
**YDSL 448(Q)**  
 390W x 478H x 16THK



**SWINGING WOODEN DOOR (R)**  
**YDSR 448(Q)**  
 390W x 478H x 16THK



**OPEN SHELF SIDE CABINET (W/O TOP AND BASE)**  
**YO 448**  
 396W x 430D x 480H



**SLIDING DOOR SIDE CABINET (W/O TOP AND BASE)**  
**Q-YS 848**  
 796W x 430D x 480H



**FIXED PEDESTAL 1D1F (W/O TOP AND BASE)**  
**Q-YP 26**  
 396W x 446D x 480H



**FIXED PEDESTAL 3D (W/O TOP AND BASE)**  
**Q-YP 36**  
 396W x 446D x 480H

**HANDLE OPTION**



**CARTIER HANDLE**

**HINGES OPTION**



**SOFT CLOSE HINGES**

**COLOUR OPTION**



**BORAS ASH**

DIMENSION  
 W x D x H mm

The furniture colours in all the photographs featured in this catalog may vary from the actual products due to photography lighting and limitation of the print production process.

\* SUBJECT TO CHANGE WITHOUT PRIOR NOTICE