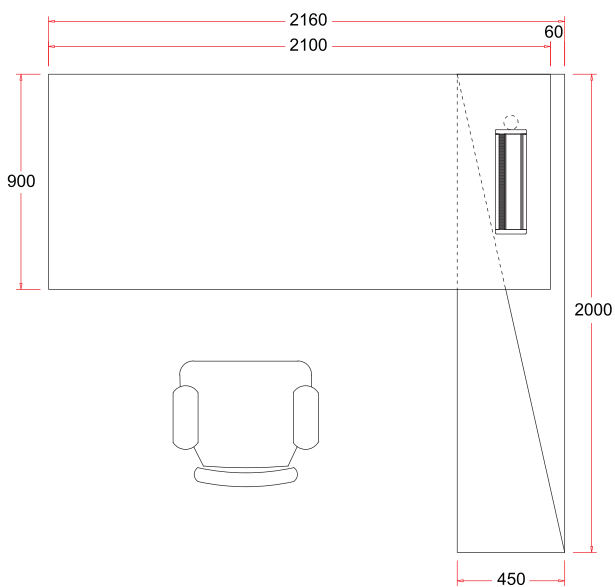






◀ Q-SRWE 2202

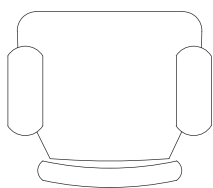
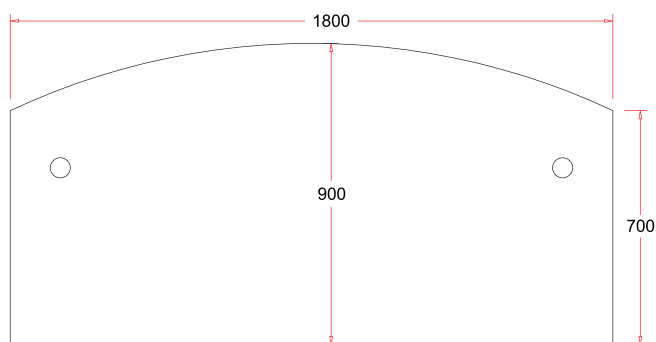


△ CONTEMPORARY DIRECTOR SET

Directors are member of the board that manages stunning work of an organization. A multiple functions desk is needed to grace your personal room for the sense of professional self.



◀ SQWB 180A-SET

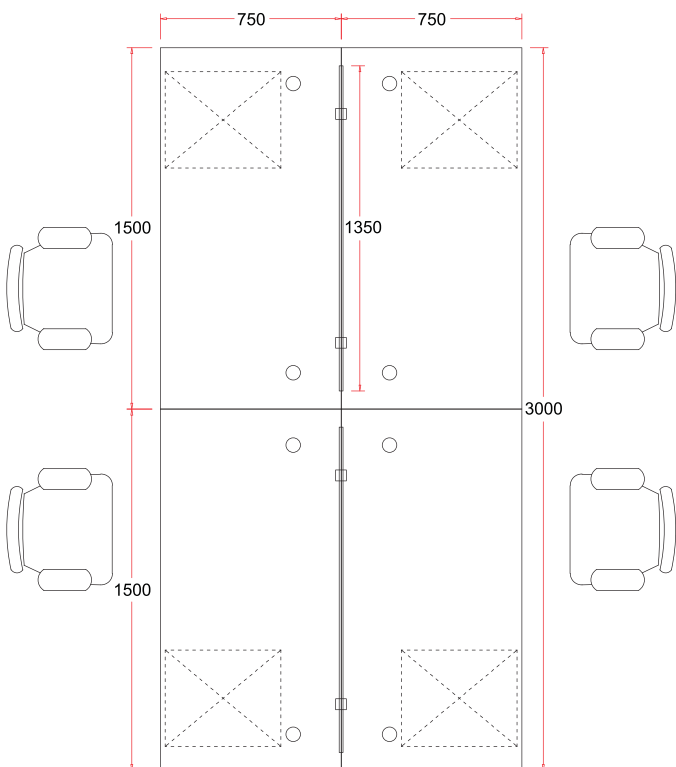


EXECUTIVE TABLE

Endow your office furniture with a level of refinement that integrates full complement of desk, pedestal and cabinet. The furniture fits together perfectly with matt finished square legs, provides great look and design concept.



◀ 16-SQR-4



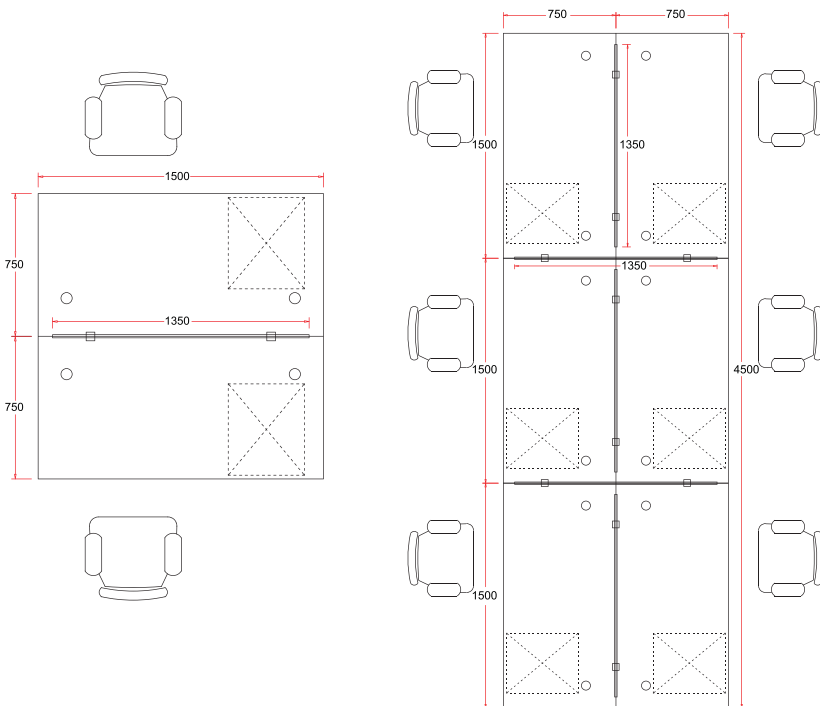
△ CLUSTER OF 4

A table is important for the purpose of data exchange and sharing new ideas. This is a set that uniquely approach four individuals to get connected. It also fosters team communication and collaboration within a shared place to enhance the information exchange.



◀ 16-SQR-6

▶ 16-SQR-2



CLUSTER OF 2 & 6

A table is important for the purpose of data exchange and sharing new ideas. This is a set that uniquely approach four individuals to get connected. It also fosters team communication and collaboration within a shared place to enhance the information exchange.



◀ **SQWL 1815-3D (L)**

SUPERIOR COMPACT TABLE

Look forward to find a desk that spurs your creativity right for your job? Our SQ82 series L-shape table matches all sorts of styles exactly the design you love.



SQWL 1815-4D (L) ▶



SQVB 48-SET



▲ **SQBB 24**

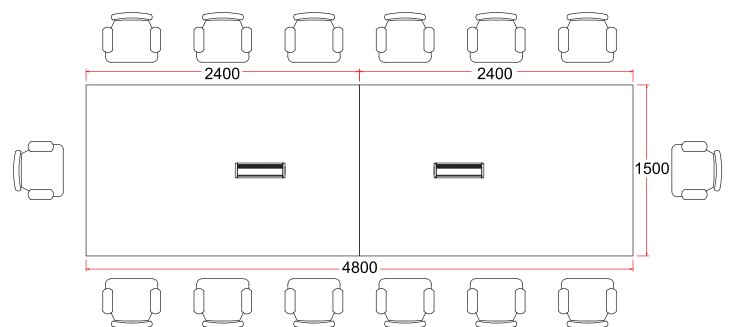


▲ **SQVB 18**



CONFERENCE FUNCTIONALITY TABLES

For companies that looking for higher quality and elegant tables for meeting, our SQ82 collection is an ideal solution for your members to meet to discuss a common concern and working together.





CABINETS & PEDESTAL

Storage is another solution to decorate your exclusive workplace. You may organize your workspace with our well-designed cabinets and pedestal. All the accessories features of lockable door, smooth-running pedestal, from low to full height cabinets, wooden glass door, and open system make your office an all-rounder.

Office Table And Pedestal Specification (SQB2-Series)

EXECUTIVE TABLE AND STANDARD TABLE (WITH WOODEN FRONT PANEL)



EXECUTIVE TABLE
SQWB 180A
1800W x 900D x 750H



STANDARD TABLE
SQWT 127 1200W x 750D x 750H
SQWT 157 1500W x 750D x 750H
SQWT 187 1800W x 750D x 750H



STANDARD TABLE (W/O TEL CAP)
SQWT 126 1200W x 600D x 750H
SQWT 156 1500W x 600D x 750H

WOODEN FRONT PANEL AND ACCESSORIES



EXECUTIVE WOODEN FRONT PANEL
SF 1 1000W x 430H x 16THK
SF 3 1300W x 430H x 16THK
SF 5 1600W x 430H x 16THK

SUPERIOR COMPACT TABLE (WITH WOODEN FRONT PANEL)



SUPERIOR COMPACT TABLE(L)
SQWL 552 1500W x 600 x 1500 x 600D x 750H
SQWL 652 1800W x 600 x 1500 x 600D x 750H
SQWL 1515 1500W x 700 x 1500 x 600D x 750H
SQWL 1815 1800W x 700 x 1500 x 600D x 750H



SUPERIOR COMPACT TABLE(L)
SQWL 552-3D 1500W x 600 x 1500 x 600D x 750H
SQWL 652-3D 1800W x 600 x 1500 x 600D x 750H
SQWL 1515-3D 1500W x 700 x 1500 x 600D x 750H
SQWL 1815-3D 1800W x 700 x 1500 x 600D x 750H



SUPERIOR COMPACT TABLE(L)
SQWL 552-4D 1500W x 600 x 1500 x 600D x 750H
SQWL 652-4D 1800W x 600 x 1500 x 600D x 750H
SQWL 1515-4D 1500W x 700 x 1500 x 600D x 750H
SQWL 1815-4D 1800W x 700 x 1500 x 600D x 750H



WOODEN HANGING BRACKET
SHW 82W x 34D x 100H

EXECUTIVE TABLE AND STANDARD TABLE (WITH METAL FRONT PANEL)



EXECUTIVE TABLE
SQMB 180A
1800W x 900D x 750H



STANDARD TABLE
SQMT 127 1200W x 750D x 750H
SQMT 157 1500W x 750D x 750H
SQMT 187 1800W x 750D x 750H



STANDARD TABLE (W/O TEL CAP)
SQMT 126 1200W x 600D x 750H
SQMT 156 1500W x 600D x 750H

METAL FRONT PANEL AND ACCESSORIES



METAL FRONT PANEL
BD 1 1000W x 430H x 20D
BD 3 1300W x 430H x 20D
BD 5 1600W x 430H x 20D

SUPERIOR COMPACT TABLE (WITH METAL FRONT PANEL)



SUPERIOR COMPACT TABLE(L)
SQML 552 1500W x 600 x 1500 x 600D x 750H
SQML 652 1800W x 600 x 1500 x 600D x 750H
SQML 1515 1500W x 700 x 1500 x 600D x 750H
SQML 1815 1800W x 700 x 1500 x 600D x 750H



SUPERIOR COMPACT TABLE(L)
SQML 552-3D 1500W x 600 x 1500 x 600D x 750H
SQML 652-3D 1800W x 600 x 1500 x 600D x 750H
SQML 1515-3D 1500W x 700 x 1500 x 600D x 750H
SQML 1815-3D 1800W x 700 x 1500 x 600D x 750H



SUPERIOR COMPACT TABLE(L)
SQML 552-4D 1500W x 600 x 1500 x 600D x 750H
SQML 652-4D 1800W x 600 x 1500 x 600D x 750H
SQML 1515-4D 1500W x 700 x 1500 x 600D x 750H
SQML 1815-4D 1800W x 700 x 1500 x 600D x 750H



METAL HANGING BRACKET
SHM 82W x 34D x 465H

PEDESTAL

FIXED PEDESTAL WITHOUT TOP (HEIGHT OF 725mm)



FIXED PEDESTAL 2D1F (W/O TOP)
Q-YHP 3
396W x 446D x 725H



FIXED PEDESTAL 4D (W/O TOP)
Q-YHP 4
396W x 446D x 725H

MOBILE PEDESTAL



MOBILE PEDESTAL 1D1F
Q-YM 2
400W x 480D x 560H



MOBILE PEDESTAL 3D
Q-YM 3
400W x 480D x 560H



MOBILE PEDESTAL 2D1F
Q-YMP 3
400W x 480D x 620H



MOBILE PEDESTAL 4D
Q-YMP 4
400W x 480D x 620H

FIXED PEDESTAL WITHOUT TOP AND BASE (HEIGHT OF 630mm)



FIXED PEDESTAL 2D1F (W/O TOP AND BASE)
Q-YP 3 396W x 446D x 630H



FIXED PEDESTAL 4D (W/O TOP AND BASE)
Q-YP 4 396W x 446D x 630H



BASE
YB 400 380W x 350D x 95H

Side Cabinet For Standard Table And Director Table Specification (SQ82-Series)

SIDE CABINET HEIGHT OF 620MM

FOR STANDARD TABLE



OPEN SHELF + SWINGING DOOR(L) + FIXED PEDESTAL 1D1F
Q-YLP 1226 1200W x 450D x 620H



OPEN SHELF + SWINGING DOOR(L) + FIXED PEDESTAL 3D
Q-YLP 1236 1200W x 450D x 620H

SIDE CABINET 1200W x 450D x 620H



OPEN SHELF + SLIDING DOOR
Q-YOS 1206
 1200W x 450D x 620H



SLIDING DOOR + FIXED PEDESTAL 1D1F
Q-YSP 1226
 1200W x 450D x 620H



SLIDING DOOR + FIXED PEDESTAL 3D
Q-YSP 1236
 1200W x 450D x 620H



OPEN SHELF + SWINGING DOOR(R) + FIXED PEDESTAL 1D1F
Q-YRP 1226
 1200W x 450D x 620H



OPEN SHELF + SWINGING DOOR(R) + FIXED PEDESTAL 3D
Q-YRP 1236
 1200W x 450D x 620H

FOR WORKSTATION CLUSTER OF 2



STANDARD TABLE (WITH WOODEN FRONT PANEL)
SQWT 127-2 2400W x 750D x 750H
SQWT 157-2 3000W x 750D x 750H
SQWT 187-2 3600W x 750D x 750H



STANDARD TABLE (WITH METAL FRONT PANEL)
SQMT 127-2 2400W x 750D x 750H
SQMT 157-2 3000W x 750D x 750H
SQMT 187-2 3600W x 750D x 750H

FOR WORKSTATION CLUSTER OF 4



STANDARD TABLE (W/O FRONT PANEL)
SQT 127-4 2400W x 1500D x 750H
SQT 157-4 3000W x 1500D x 750H
SQT 187-4 3600W x 1500D x 750H

CABINET PANEL, BOTTOM PANEL AND DOOR

PARTS OF COMBINATION



CABINET PANEL C/W CHROME CAP
PSC 800 800W x 450D x 25THK
PSC 1200 1200W x 450D x 25THK
PSC 1600 1600W x 450D x 25THK



CABINET PANEL
YST 800 800W x 450D x 25THK
YST 1200 1200W x 450D x 25THK
YST 1600 1600W x 450D x 25THK



SWINGING WOODEN DOOR(L)
YDL 448(Q)
 390W x 478H x 16THK



SWINGING WOODEN DOOR(R)
YDR 448(Q)
 390W x 478H x 16THK

CABINET AND PEDESTAL



OPEN SHELF SIDE CABINET (W/O TOP AND BASE)
YO 448
 396W x 430D x 480H



SLIDING DOOR SIDE CABINET (W/O TOP AND BASE)
Q-YS 848
 796W x 430D x 480H



FIXED PEDESTAL 1D1F (W/O TOP AND BASE)
Q-YP 26
 396W x 446D x 480H



FIXED PEDESTAL 3D (W/O TOP AND BASE)
Q-YP 36
 396W x 446D x 480H

DIRECTOR TABLE SET (WITH SQ82 METAL LEG)

(WITH WOODEN FRONT PANEL)



DIRECTOR TABLE SET (Table Top 41THK)
 (Included YBV 20 1 unit)
Q-SRWE 2202
 2160W x 900 x 2000 x 450 x 766H



DIRECTOR TABLE SET (Table Top 41THK)
 (Included YBV 20 1 unit)
Q-SRWE 2203
 2160W x 900 x 2000 x 450 x 766H



DIRECTOR TABLE SET (Table Top 41THK)
 (Included YBV 20 1 unit)
Q-SLWE 2202
 2160W x 900 x 2000 x 450 x 766H



DIRECTOR TABLE SET (Table Top 41THK)
 (Included YBV 20 1 unit)
Q-SLWE 2203
 2160W x 900 x 2000 x 450 x 766H

Conference Table And SQ82 Metal Leg Specification (SQ82-Series)

CONFERENCE TABLE



BOAT-SHAPE CONFERENCE TABLE
(Included YBV 20 1 unit)
SQBB 18 1800W x 900/750D x 750H



BOAT-SHAPE CONFERENCE TABLE
(Included YBV 20 1 unit)
SQBB 24 2400W x 1200/900D x 750H



BOAT-SHAPE CONFERENCE TABLE
(Included YBV 20 2 units)
SQBB 30 3000W x 1200/900D x 750H
SQBB 36 3600W x 1500/1200D x 750H



BOAT-SHAPE CONFERENCE TABLE
(Included YBV 20 2 units)
SQBB 48 4800W x 1500/1200D x 750H



RECTANGULAR CONFERENCE TABLE
(Included YBV 20 1 unit)
SQVB 18 1800W x 900D x 750H



RECTANGULAR CONFERENCE TABLE
(Included YBV 20 1 unit)
SQVB 24 2400W x 1200D x 750H



RECTANGULAR CONFERENCE TABLE
(Included YBV 20 2 units)
SQVB 30 3000W x 1200D x 750H
SQVB 36 3600W x 1500D x 750H



RECTANGULAR CONFERENCE TABLE
(Included YBV 20 2 units)
SQVB 48 4800W x 1500D x 750H

SQ LEG



SQ LEG
SQ82-E600 590W x 80D x 725H
SQ82-E700 690W x 80D x 725H
SQ82-E750 740W x 80D x 725H
SQ82-E900 890W x 80D x 725H



SQ LEG
SQ82-E1200 1190W x 80D x 725H
SQ82-E1400 1390W x 80D x 725H
SQ82-E1500 1490W x 80D x 725H



MIDDLE SQ LEG
SQ82-M600 590W x 80D x 725H
SQ82-M700 690W x 80D x 725H
SQ82-M750 740W x 80D x 725H
SQ82-M900 890W x 80D x 725H



MIDDLE SQ LEG
SQ82-M1200 1190W x 80D x 725H
SQ82-M1400 1390W x 80D x 725H
SQ82-M1500 1490W x 80D x 725H

CROSS BAR



END AND END CROSS BAR
SEE 1200 1160W x 38D x 14/54H
SEE 1500 1460W x 38D x 14/54H
SEE 1800 1760W x 38D x 14/54H
SEE 2400 2360W x 38D x 14/54H



MIDDLE AND END CROSS BAR
SME 1200 1200W x 38D x 14/54H
SME 1500 1500W x 38D x 14/54H
SME 1800 1800W x 38D x 14/54H



MIDDLE AND MIDDLE CROSS BAR
SMM 1200 1240W x 38D x 14/54H
SMM 1500 1540W x 38D x 14/54H
SMM 1800 1840W x 38D x 14/54H



END SIDE CROSS BAR
SRE 200 251W x 38D x 14/54H



MIDDLE SIDE CROSS BAR
SRM 200 251W x 38D x 14/54H

ACCESSORIES



SUPPORT BRACKET (PVC)
SPB 52W x 32D x 14H



CABINET LEG (ALUMINIUM)
YCL 70W x 64D x 90H

COLOUR OPTIONS



BORAS ASH



WALNUT



MAPLE

The furniture colours of all the photographs featured in this catalogue may vary from the actual products due to photography lighting and limitation of the print production process.

DIMENSION :
W x D x H mm

* SUBJECT TO CHANGE
WITHOUT PRIOR NOTICE

Storage Cabinet Specification (SQ82-Series)

LOW CABINET

HEIGHT OF 910MM



OPEN SHELF LOW CABINET
Q-YO 9 800W x 400D x 910H



SWINGING DOOR LOW CABINET
Q-YD 9 800W x 400D x 910H



PIGEON HOLE LOW CABINET
Q-YP 9 800W x 400D x 910H



SLIDING DOOR LOW CABINET
Q-YS 9 800W x 400D x 910H



SWINGING GLASS DOOR LOW CABINET
Q-YG 9 800W x 400D x 910H

MEDIUM CABINET

HEIGHT OF 1310MM



OPEN SHELF MEDIUM CABINET
Q-YO 13 800W x 400D x 1310H



SWINGING DOOR MEDIUM CABINET
Q-YD 13 800W x 400D x 1310H



SEMI SWINGING DOOR MEDIUM CABINET
Q-YOD 13 800W x 400D x 1310H



SLIDING DOOR SIDE CABINET
Q-YS 303 900W x 450D x 700H

HEIGHT OF 1710MM



OPEN SHELF MEDIUM CABINET
Q-YO 17 800W x 400D x 1710H



SWINGING DOOR MEDIUM CABINET
Q-YD 17 800W x 400D x 1710H



SEMI SWINGING DOOR MEDIUM CABINET
Q-YOD 17 800W x 400D x 1710H

HANDLE OPTION



CARTIER HANDLE

HIGH CABINET

HEIGHT OF 2110MM



OPEN SHELF HIGH CABINET
Q-YO 21 800W x 400D x 2110H



SWINGING DOOR HIGH CABINET
Q-YD 21 800W x 400D x 2110H



SEMI SWINGING DOOR HIGH CABINET
Q-YOD 21 800W x 400D x 2110H



SWINGING DOOR HIGH CABINET
Q-YTD 21 800W x 400D x 2110H



SWINGING GLASS DOOR HIGH CABINET
Q-YGD 21 800W x 400D x 2110H

SWINGING WOODEN AND GLASS DOOR



SWINGING WOODEN DOOR
YFD 9(Q)
788W x 796H x 16THK
(for Q-YD 9 only)



SWINGING WOODEN DOOR
YFD 13(Q)
788W x 1198H x 16THK
(for Q-YD 13 only)



SWINGING WOODEN DOOR
YFD 17(Q)
788W x 1598H x 16THK
(for Q-YD 17 only)



SWINGING GLASS DOOR WITH GLASS LOCK
YFG 9
754W x 774H x 5THK
(for Q-YG 9)



SWINGING WOODEN DOOR (LOWER)
YLD 9(Q)
788W x 796H x 16THK
(for Q-YOD 13, Q-YOD 17, Q-YOD 21,
Q-YTD 21, Q-YGD21)



SWINGING WOODEN DOOR (UPPER)
YUD 21(Q)
788W x 1200H x 16THK
(for Q-YTD 21 only)



SWINGING WOODEN DOOR
YFD 21(Q)
788W x 1998H x 16THK
(for Q-YD 21 only)



SWINGING GLASS DOOR WITH GLASS LOCK
YUG 21
754W x 1188H x 5THK
(for Q-YG 9)